

KombiSIGN 70 / Audible Devices 844  
**Siren element 8 tne 24VAC/DC BK**



<b>Part No.:</b>	<b>844.126.55</b>
<b>Series:</b>	<b>KombiSIGN 70</b>



<b>MECHANICAL DATA</b>	
Height	72 mm
Diameter	70 mm
Materials	PC
Housing colour	Black
Protection category	IP54
Working temperature minimum	-20°C
Working temperature maximum	+50°C
Weight with packaging	107 g
Product weight	92 g

<b>ELECTRICAL DATA</b>	
Operating voltage	24V
Operating voltage type	AC/DC
Operating voltage frequency	50Hz
Operating voltage tolerance	+/- 10%
Rated operational voltage	24 VDC
Rated operational current	80 mA
Rated inrush current	200 mA
Protection class	Protection class 2
Pollution degree	2

<b>ACUSTICAL DATA</b>	
Volume (max) at 1m distance	100,0 dB (A)
Acoustic signal image	Multi-tone
Number of tones	8 tone
Acoustic service life	5,000 h minimum

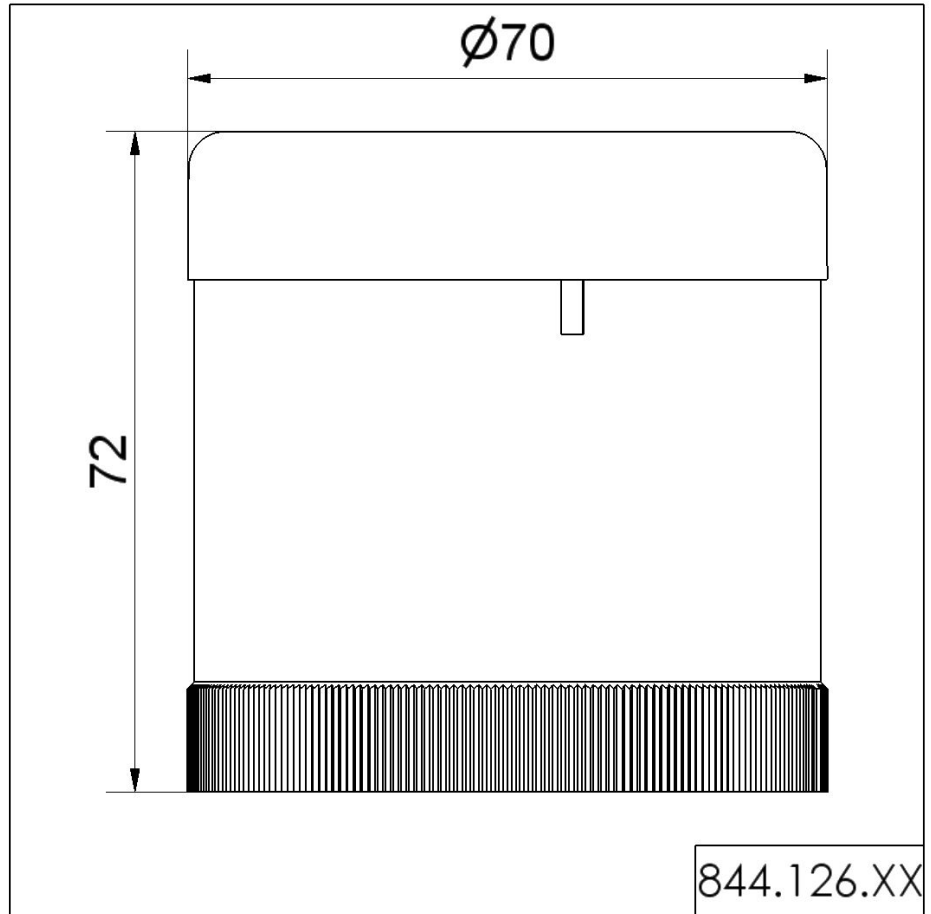
<b>APPROVAL DATA</b>	
Conforms with CE	Yes
WEEE	Yes
Conforms with RED directive	No
Conform with ATEX-directive	No
Conforms with CCC	No
Conforms with UL	cULus
UL Type Rating	Type 12
Conforms with FCC	No
Conforms with IC	No
EAC certificate available	Yes
Conforms with AS-I	No

**!** For additional installation and mounting information, refer to the appropriate user guide at [www.werma.com](http://www.werma.com). This printed copy is for information only and is subject to alteration.

KombiSIGN 70 / Audible Devices 844  
**Siren element 8 tne 24VAC/DC BK**

ICAO Certification	No
Conforms with GL	No
Conforms with RoHS CN	No
Conforms with VdS	No

**DRAWING**



**!** For additional installation and mounting information, refer to the appropriate user guide at [www.werma.com](http://www.werma.com). This printed copy is for information only and is subject to alteration.